



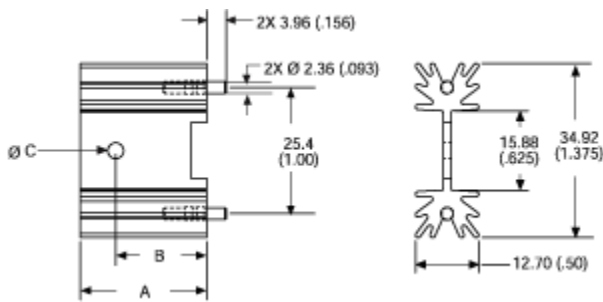
For use with TO-220 packages

**513102b02500**

VIS#001440



**Mechanical Outline Drawing**



A Dim **38.1 (1.50)**

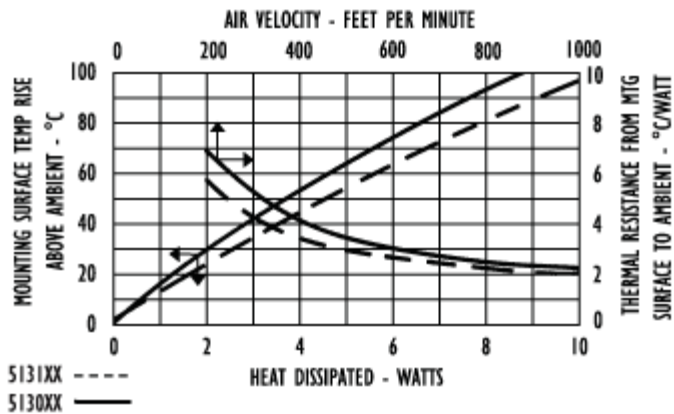
B Dim **18.29 (.720)**

C Dim **3.18 (.125)**

<b>Thermal Resistance</b>	11.0
---------------------------	------

Thermal resistance value is based on a 75°C rise in natural convection

## Thermal Curves



## Product Information

12 Digit Part #	Description	Finish	Board Mounting
513102b02500	For vertical mounting with solderable pins	Black Anodize	<a href="#">View Hole Dimensions</a>

### Not Exactly what you need?

We offer several options for those applications which require a more unique solution. For slight modifications of this part or other attachment options, finishes, and interface materials, contact your [local representative](#). Challenge us with your thermal requirements - we can design custom solutions.

For technical help with our Standard Products, please call (603) 223-1921, or contact your local Manufacturer's Rep  
Email: [info@aavid.com](mailto:info@aavid.com)

Visit us at [www.aavidthermalloy.com](http://www.aavidthermalloy.com) • ©2002 Aavid Thermalloy, LLC